

Customer

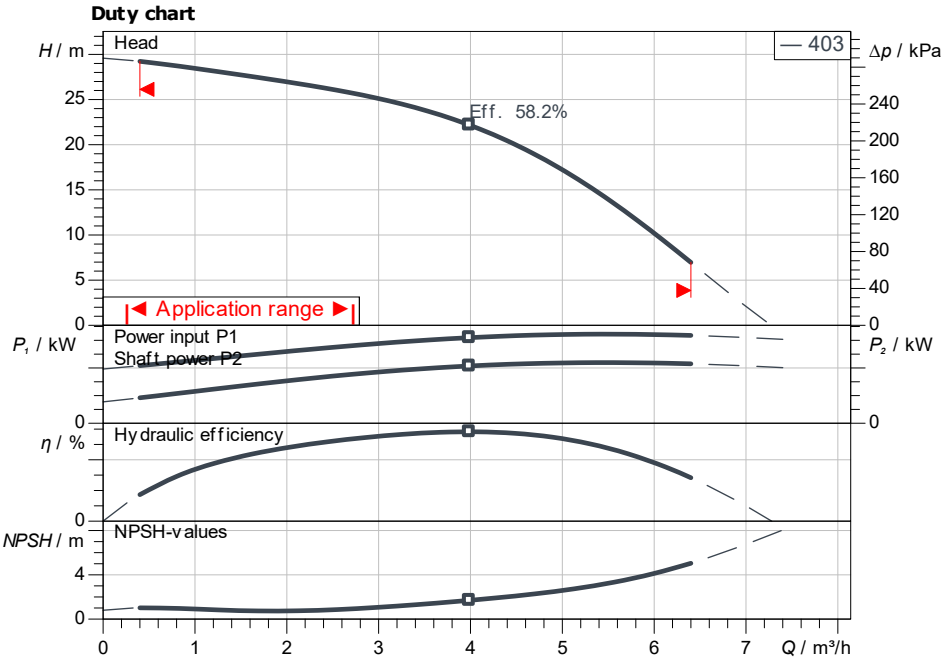
Technical data

High-pressure multistage centrifugal pump Medana CH1-L.403-1/E/A/10T

Project ID: Untitled project 2025-09-06 05:15:32.099

Project name
Installation location
Customer pos. No.

Date: 2025-09-06



ISO 9906: 2012 3B

Requested data

Flow
Head
Media: Water 100 %
Fluid temperature: 20.00 °C
Density: 998.30 kg/m³
Kin. viscosity: 1.00 mm²/s

Hydraulic data (Duty point)

Flow
Head
Shaft power P_2
Hydraulic efficiency
NPSH

Product data

High-pressure multistage centrifugal pump
Medana CH1-L.403-1/E/A/10T
Max. operating pressure: 1000 kPa
Inlet pressure max.: 6 bar
Fluid temperature: -20 °C ... +120 °C
Max. ambient temperature: 50 °C

Motordata per Motor/Pump

Motor efficiency level: IE2
Mains connection: 1~ 230 V / 50 Hz
Permitted voltage tolerance: +10 %
Max. speed: 2900 1/min
Rated power P_2 : 0.55 kW
Rated current: 3.60 A
Power factor
Efficiency: 50% / 75% / 100% → 58.1/67.6/74.1%
Degree of protection: IP55
Insulation class: F
Motor protection

Fitting dimensions

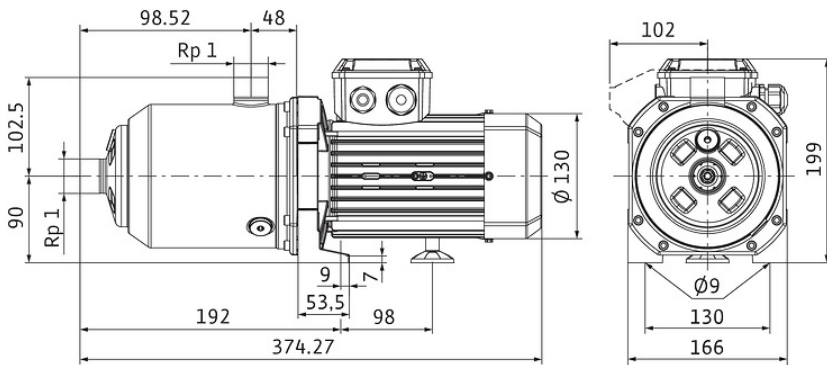
Pipe connection on the suction side: Rp 1, PN 10
Pipe connection (pressure side): Rp 1, PN 10

Materials

Pump housing: 1.4301
Impeller: 1.4301
Shaft: 1.4301
Shaft seal: BQ7EGG
Gasket material: EPDM

Information for order placements

Weight approx.: 9.7 kg
Item number: 4231476



Dimensions mm