

**Customer**

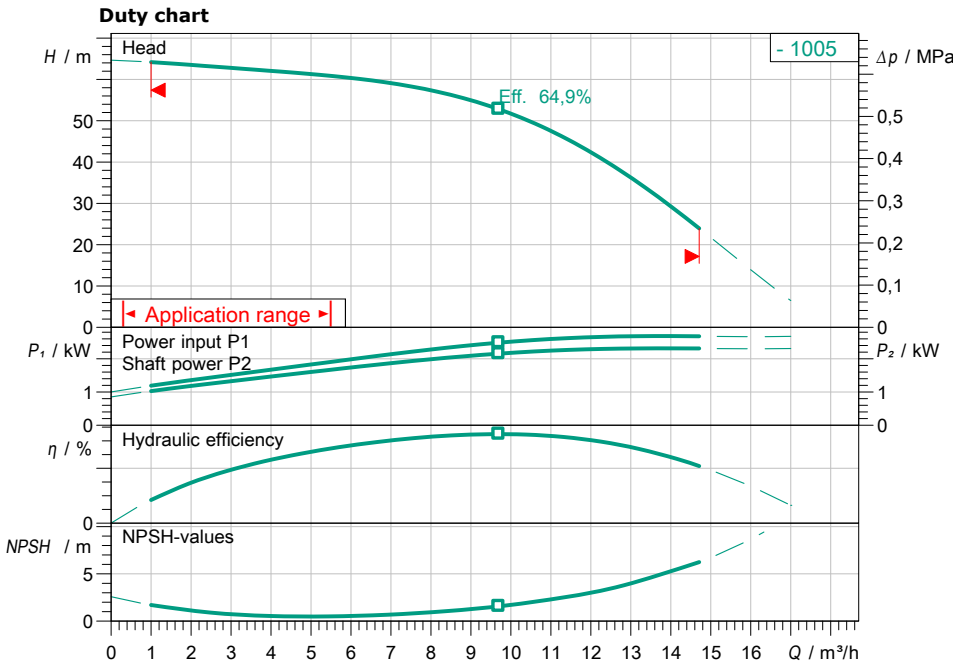
## Technical data

### High-pressure multistage centrifugal pump Medana CH1-L.1005-1/E/E/10T

Project name Untitled project 2023-02-21 00:52:05.401

Project ID  
Installation location  
Customer pos.no

Date 21.02.2023



#### Requested data

Flow  
Head  
Media Water 100 %  
Fluid temperature 20,00 °C  
Density 998,30 kg/m³  
Kin. viscosity 1,00 mm²/s

#### Hydraulic data (Duty point)

Flow  
Head

#### Product data

High-pressure multistage centrifugal pump  
Medana CH1-L.1005-1/E/E/10T  
Max. operating pressure 1 MPa  
Inlet pressure max. 0,6 MPa  
Fluid temperature -20 °C ... +120 °C  
Max. ambient temperature 50 °C

#### Motordata per Motor/Pump

Motor efficiency class IE3  
Mains connection 3~ 400 V / 50 Hz  
Permitted voltage tolerance +-10 %  
Max. speed 2900 1/min  
Rated power P2 2,50 kW  
Rated current 5,20 A

Degree of protection IP55  
Insulation class F  
Motor protection no

#### Fitting dimensions

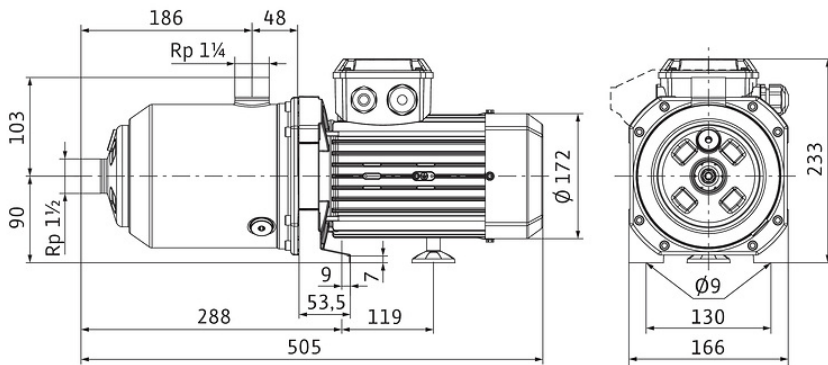
Pipe connection on the suction side Rp 1½, PN 10  
Pipe connection on the pressure side Rp 1¼, PN 10

#### Materials

Pump housing 1.4301  
Impeller 1.4301  
Shaft 1.4301  
Shaft seal BQ1E3GG  
Gasket material EPDM

#### Information for order placements

Weight approx. 21,2 kg  
Item number 4231499



#### Dimensions mm