

Application

- ◆ Wastewater drainage in factories, construction sites and commercial facilities
- ◆ Drainage system in municipal sewage treatment plants
- ◆ Drainage station in residential quarters
- ◆ Municipal projects
- ◆ Methane pools and field irrigation in countryside

Pump

- ◆ Max. immersion depth: 5m
- ◆ Max. liquid temperature: +40°C
- ◆ Liquid pH value: 4-10
- ◆ Liquid kinematic viscosity: $7 \times 10^{-3} \sim 23 \times 10^{-3} \text{ m}^2/\text{s}$
- ◆ Max. liquid density: $1.2 \times 10^{-3} \text{ kg/m}^3$

Motor

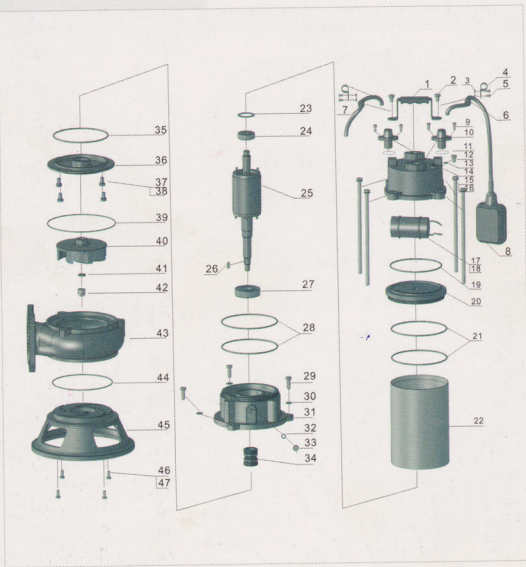
- ◆ Copper winding
- ◆ Built-in thermal protector
- ◆ Stainless steel welded shaft
- ◆ Insulation class: F
- ◆ Protection class: IPX8

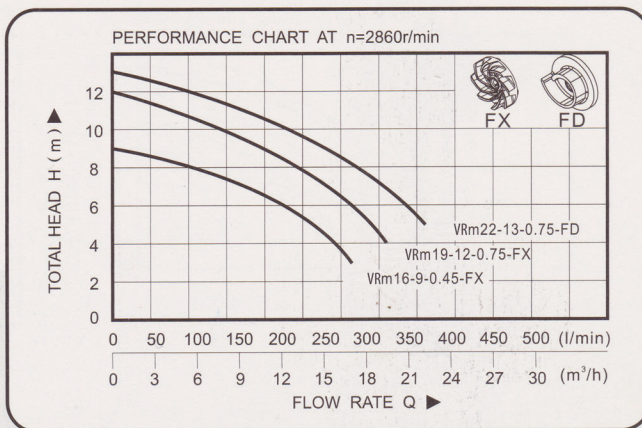
Technical Table

Model	Power (kw)	Outlet Diameter (mm)	Voltage/ Frequency (V/Hz)	Max. Flow (l/min)	Max. Head (m)	Max. Diameter of Particle (mm)	G.W. (kg)	Dimensions (cm)
VRm42-12-1.5-FX	1.5	75	220-240/50	700	12	25	32.5	28.0X27.0X62.0
VRm40-17-1.5-FD	1.5	75	220-240/50	666	17	25	34.5	28.0X27.0X62.0
VRm48-17-2.2-FX	2.2	75	220-240/50	800	17	30	37.0	28.0X27.0X62.0
VRm49-19-2.2-FD	2.2	75	220-240/50	816	19	30	37.5	28.0X27.0X62.0

Materials Table

NO.	DESCRIPTION	NO.	DESCRIPTION
1	Handle	24	Bearing
2	Bolt	25	Rotor
3	Nut	26	Key
4	Cable presser	27	Bearing
5	Screw	28	"O"ring
6	Protector	29	Screw
7	Cable	30	Washer
8	Float swith	31	Connection part
9	Screw	32	"O"ring
10	Cable protector	33	Bolt
11	"O"ring	34	Mechanical seal
12	Bolt	35	"O"ring
13	"O"ring	36	Oil chamber cover
14	Capacitor cover	37	Screw
15	Bolt	38	Washer
16	Stretching washer	39	"O"ring
17	Capacitor	40	Impeller
18	"O"ring	41	Stetching washer
19	"O"ring	42	Nut
20	Motor cover	43	Pump body
21	"O"ring	44	"O"ring
22	Stator	45	Washer
23	Undulated washer	46	Bolt
		47	Stretching washer





Application

- ◆ Wastewater drainage in factories, construction sites and commercial facilities
- ◆ Drainage system in municipal sewage treatment plants
- ◆ Drainage station in residential quarters
- ◆ Municipal projects
- ◆ Methane pools and field irrigation in countryside

Pump

- ◆ Max: immersion depth: 5m
- ◆ Max: liquid temperature: +40°C
- ◆ Liquid pH value: 4-10
- ◆ Liquid kinematic viscosity: $7 \times 10^{-7} \sim 23 \times 10^{-4} \text{ m}^2/\text{s}$
- ◆ Max. liquid density: $1.2 \times 10^{-3} \text{ kg/m}^3$

Motor

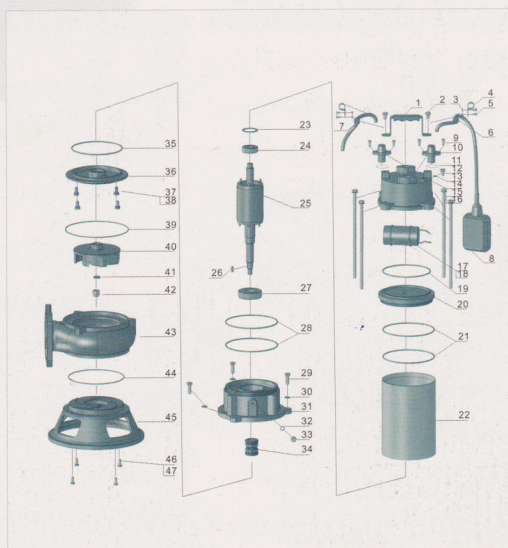
- ◆ Copper winding
- ◆ Built-in thermal protector
- ◆ Stainless steel welded shaft
- ◆ Insulation class: F
- ◆ Protection class: IPX8

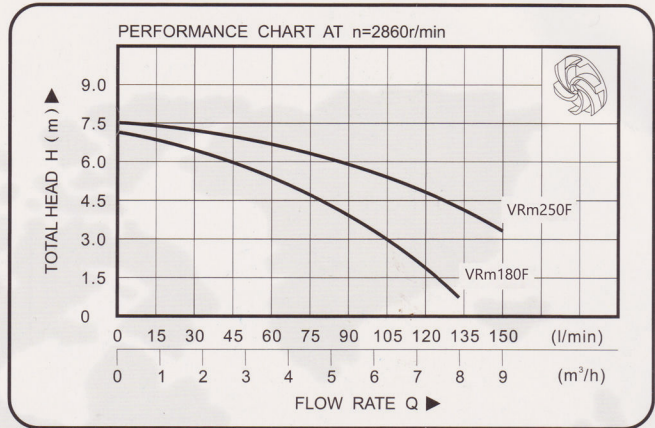
Technical Table

Model	Power (kw)	Outlet Diameter (mm)	Voltage/ Frequency (V/Hz)	Max. Flow (l/min)	Max. Head (m)	Max. Diameter of Particle (mm)	G.W. (kg)	Dimensions (cm)
VRm16-9-0.45-FX	0.45	30	220-240/50	266	9	30	17.0	25.5X19.5X48.5
VRm19-12-0.75-FX	0.75	50	220-240/50	316	12	30	18.5	25.5X19.5X48.5
VRm22-13-0.75-FD	0.75	50	220-240/50	366	13	20	21.0	27.5X26.0X53.0

Materials Table

NO.	DESCRIPTION	NO.	DESCRIPTION
1	Handle	24	Bearing
2	Bolt	25	Rotor
3	Nut	26	Key
4	Cable presser	27	Bearing
5	Screw	28	"O"ring
6	Protector	29	Screw
7	Cable	30	Washer
8	Float switch	31	Connection part
9	Screw	32	"O"ring
10	Cable protector	33	Bolt
11	"O"ring	34	Mechanical seal
12	Bolt	35	"O"ring
13	"O"ring	36	Oil chamber cover
14	Capacitor cover	37	Screw
15	Bolt	38	Washer
16	Stretching washer	39	"O"ring
17	Capacitor	40	Impeller
18	"O"ring	41	Stretching washer
19	"O"ring	42	Nut
20	Motor cover	43	Pump body
21	"O"ring	44	"O"ring
22	Stator	45	Washer
23	Undulated washer	46	Bolt
		47	Stretching washer





Application

- ◆ Wastewater drainage in factories, construction sites and commercial facilities
- ◆ Drainage system in municipal sewage treatment plants
- ◆ Drainage station in residential quarters
- ◆ Municipal projects
- ◆ Methane pools and field irrigation in countryside

Pump

- ◆ Max: immersion depth: 5m
- ◆ Max: liquid temperature: +40°C
- ◆ Liquid pH value: 4-10
- ◆ Liquid kinematic viscosity: $7 \times 10^{-3} \sim 23 \times 10^{-3} \text{ m}^2/\text{s}$
- ◆ Max. liquid density: $1.2 \times 10^{-3} \text{ kg/m}^3$

Motor

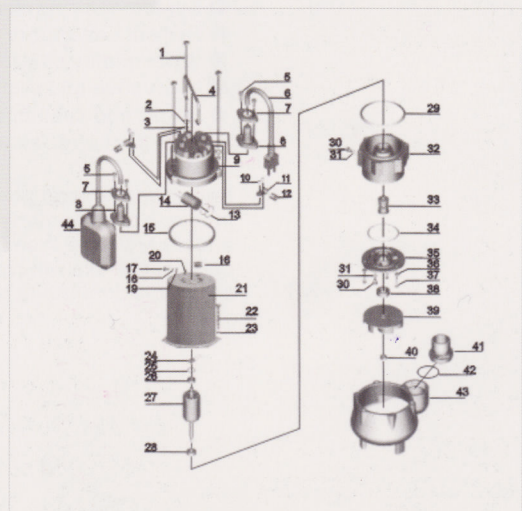
- ◆ Copper winding
- ◆ Built-in thermal protector
- ◆ Stainless steel welded shaft
- ◆ Insulation class: F
- ◆ Protection class: IPX8

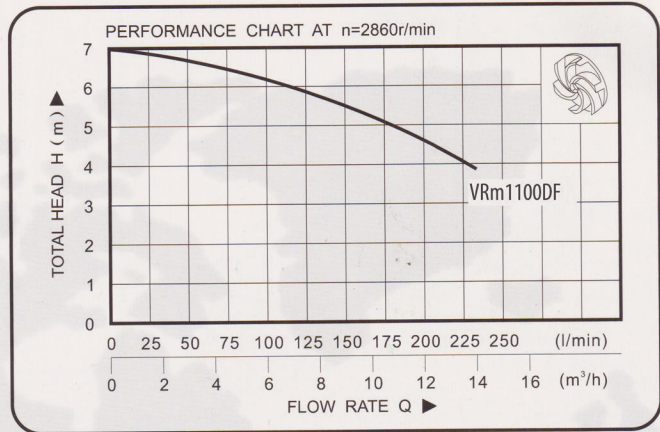
Technical Table

Model	Power (kw)	Outlet Diameter (mm)	Voltage/ Frequency (V/Hz)	Max. Flow (l/min)	Max. Head (m)	Max. Diameter of Particle (mm)	G.W. (kg)	Dimensions (cm)
VRm180F	0.18	25, 32, 40	220/50	133	7	15	9.0	18.5x18.0x36.5
VRm250F	0.25	25, 32, 40	220/50	150	7.5	15	9.5	18.5x18.0x38.5

Materials Table

NO.	DESCRIPTION	NO.	DESCRIPTION
1	Bolt	23	Stretching washer
2	Stretching washer	24	Thermal protector
3	Washer	25	Undulated washer
4	Handle	26	Bearing
5	Screw	27	Rotor
6	Cable	28	Bearing
7	Flange	29	Rubber washer
8	Cable protector	30	Screw
9	Capacitor cover	31	"O" ring
10	Screw	32	Connection part
11	Cable presser	33	Mechanical seal
12	Protector	34	"O" ring
13	"O" ring	35	Oil chamber cover
14	Capacitor	36	Washer
15	Rubber washer	37	Screw
16	Line protector	38	Oil seal
17	Screw	39	Impeller
18	Stretching washer	40	Nut
19	Washer	41	Out-let connector
20	Nut	42	"O" ring
21	Stator	43	Pump body
22	Screw	44	Float switch





Application

- ◆ Wastewater drainage in factories, construction sites and commercial facilities
- ◆ Drainage system in municipal sewage treatment plants
- ◆ Drainage station in residential quarters
- ◆ Municipal projects
- ◆ Methane pools and field irrigation in countryside

Pump

- ◆ Max: immersion depth: 5m
- ◆ Max: liquid temperature: +40°C
- ◆ Liquid pH value: 4-10
- ◆ Liquid kinematic viscosity: $7 \times 10^{-4} \sim 23 \times 10^{-4} \text{ m}^2/\text{s}$
- ◆ Max. liquid density: $1.2 \times 10^{-3} \text{ kg/m}^3$

Motor

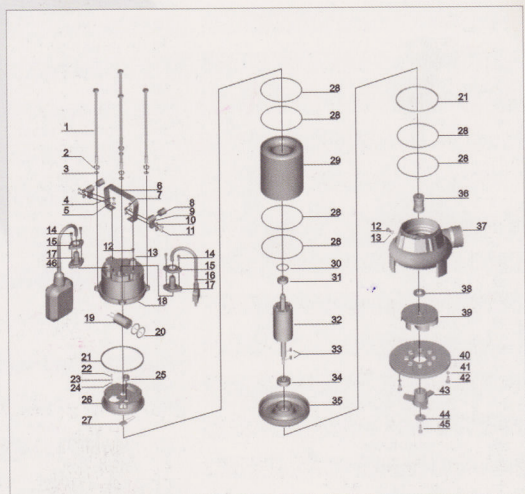
- ◆ Copper winding
- ◆ Built-in thermal protector
- ◆ Stainless steel welded shaft
- ◆ Insulation class: F
- ◆ Protection class: IPX8

Technical Table

Model	Power (kw)	Outlet Diameter (mm)	Voltage/Frequency (V/Hz)	Max. Flow (l/min)	Max. Head (m)	G.W. (kg)	Dimensions (cm)
VRm1100DF	1.1	50	220/50	233	7	24.0	27.5×22.5×56.0

Materials Table

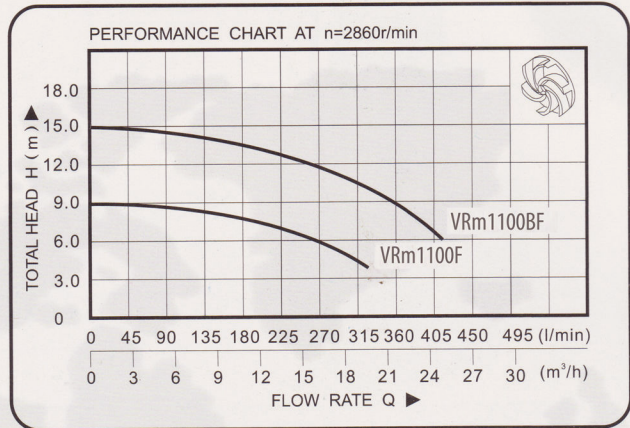
NO.	DESCRIPTION	NO.	DESCRIPTION
1	Bolt	24	Washer
2	Stretching washer	25	Line protector
3	Washer	26	Upper cover
4	Bolt	27	Thermal protector
5	Washer	28	"O" ring
6	Handle	29	Stator
7	Nut	30	Undulated washer
8	Protector	31	Bearing
9	Cable presser	32	Rotor
10	Washer	33	Key
11	Screw	34	Bearing
12	Bolt	35	Lower cover
13	"O" ring	36	Mechanical seal
14	Screw	37	Pump body
15	Flange	38	Oil seal
16	Cable	39	Impeller
17	Cable protector	40	Fixed cutter
18	Capacitor cover	41	Washer
19	Capacitor	42	Screw
20	"O" ring	43	Rotation cutter
21	Rubber washer	44	Washer
22	Screw	45	Screw
23	Stretching washer	46	Float switch





VRm1100F

VRm1100BF



Application

- ◆ Wastewater drainage in factories, construction sites and commercial facilities
- ◆ Drainage system in municipal sewage treatment plants
- ◆ Drainage station in residential quarters
- ◆ Municipal projects
- ◆ Methane pools and field irrigation in countryside

Pump

- ◆ Max. immersion depth: 5m
- ◆ Max. liquid temperature: +40°C
- ◆ Liquid pH value: 4-10
- ◆ Liquid kinematic viscosity: $7 \times 10^{-4} \sim 23 \times 10^{-4} \text{ m}^2/\text{s}$
- ◆ Max. liquid density: $1.2 \times 10^{-3} \text{ kg/m}^3$

Motor

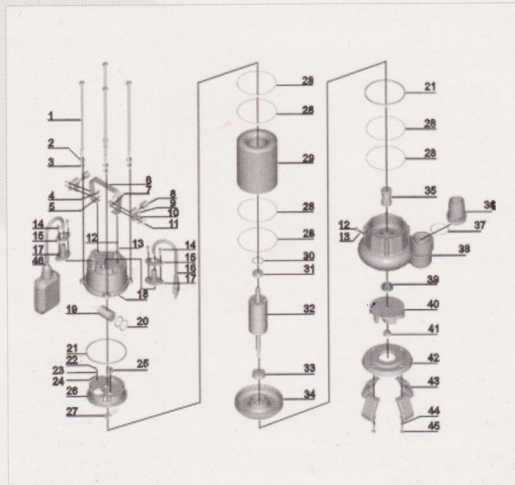
- ◆ Copper winding
- ◆ Built-in thermal protector
- ◆ Stainless steel welded shaft
- ◆ Insulation class: F
- ◆ Protection class: IPX8

Technical Table

Model	Power (kw)	Outlet Diameter (mm)	Voltage/Frequency (V/Hz)	Max. Flow (l/min)	Max. Head (m)	Max. Diameter of Particle (mm)	G.W. (kg)	Dimensions (cm)
VRm1100F	1.1	50	220/50	333	9	35	23.5	27.5x22.5x56.0
VRm1100BF	1.1	50	220/50	416	15	25	22	27.5x22.5x53.0

Materials Table

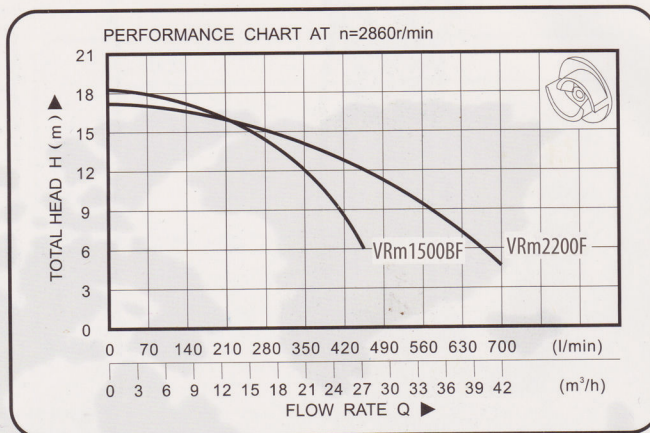
NO.	DESCRIPTION	NO.	DESCRIPTION
1	Blot	24	Washer
2	Stretching washer	25	Line protector
3	Washer	26	Upper cover
4	Blot	27	Thermal protector
5	Washer	28	"O" ring
6	Handle	29	Stator
7	Nut	30	Undulated washer
8	Protector	31	Bearing
9	Cable presser	32	Rotor
10	Washer	33	Bearing
11	Screw	34	Lower cover
12	Blot	35	Mechanical seal
13	"O" ring	36	Out-let connector
14	Screw	37	"O" ring
15	Flange	38	Pump body
16	Cable	39	Oil seal
17	Cable protector	40	Impeller
18	Capacitor cover	41	Nut
19	Capacitor	42	Pump cover
20	"O" ring	43	Base plate
21	Rubber washer	44	Washer
22	Screw	45	Blot
23	Stretching washer	46	Float switch





VRm1500BF

VRm2200F/VRm2200BF



Application

- ◆ Wastewater drainage in factories, construction sites and commercial facilities
- ◆ Drainage system in municipal sewage treatment plants
- ◆ Drainage station in residential quarters
- ◆ Municipal projects
- ◆ Methane pools and field irrigation in countryside

Pump

- ◆ Max. immersion depth: 5m
- ◆ Max. liquid temperature: +40°C
- ◆ Liquid pH value: 4-10
- ◆ Liquid kinematic viscosity: $7 \times 10^{-3} \sim 23 \times 10^{-3} \text{ m}^2/\text{s}$
- ◆ Max. liquid density: $1.2 \times 10^{-3} \text{ kg/m}^3$

Motor

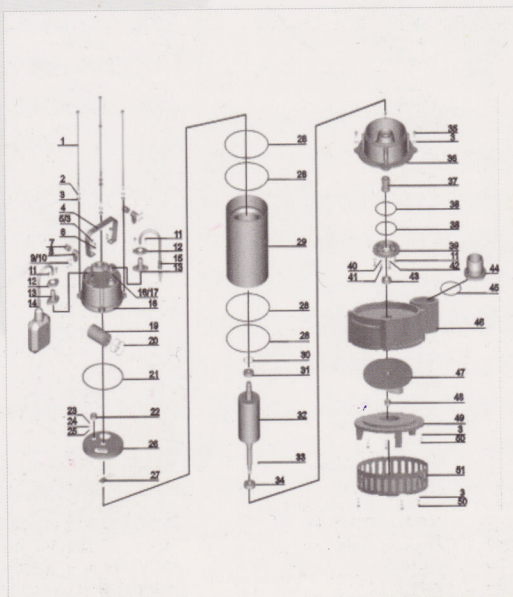
- ◆ Copper winding
- ◆ Built-in thermal protector
- ◆ Stainless steel welded shaft
- ◆ Insulation class: F
- ◆ Protection class: IPX8

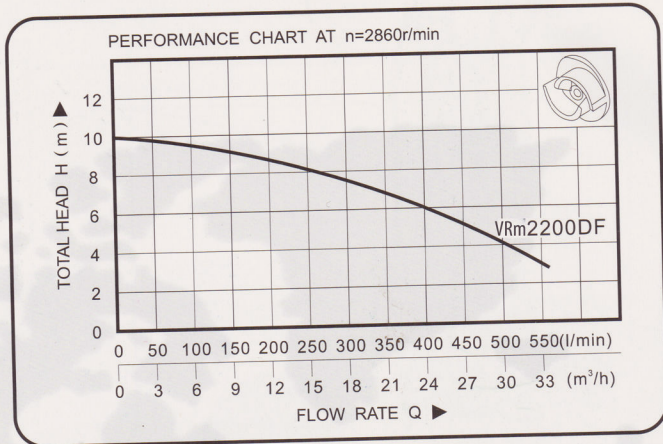
Technical Table

Model	Power (kw)	Outlet Diameter (mm)	Voltage/ Frequency (V/Hz)	Max. Flow (l/min)	Max. Head (m)	Max. Diameter of Particle (mm)	G.W. (kg)	Dimensions (cm)
VRm1500BF	1.5	50	220/50	450	18.5	20	28	59.0x35.5x25.0
VRm2200F	2.2	75	220/50	700	17	20	33.0	59.0x35.5x25.0
VRm2200BF	2.2	100	220/50	990	18.5	20	38	59.0x33.5x26.5

Materials Table

NO.	DESCRIPTION	NO.	DESCRIPTION
1	Bolt	27	Thermal protector
2	Stretching washer	28	"O" ring
3	Washer	29	Stator
4	Handle	30	Undulated washer
5	Bolt	31	Bearing
6	Nut	32	Rotor
7	Protector	33	Key
8	Cable presser	34	Bearing
9	Screw	35	Screw
10	Washer	36	Connection part
11	Screw	37	Mechanical seal
12	Flange	38	"O" ring
13	Flange protector	39	Oil chamber cover
14	Floast swith	40	"O" ring
15	Caable	41	Screw
16	Bolt	42	Washer
17	"O"ring	43	Oil seal
18	Capacitor cover	44	Out-let connector
19	Capacitor	45	"O" ring
20	"O"ring	46	Pump body
21	Seal washer	47	Impeller
22	Line protector	48	Nut
23	"O"ring	49	Pump cover
24	Stretching washer	50	Screw
25	Washer	51	Filter mesh
26	Motor cover		





Application

- ◆ Wastewater drainage in factories, construction sites and commercial facilities
- ◆ Drainage system in municipal sewage treatment plants
- ◆ Drainage station in residential quarters
- ◆ Municipal projects
- ◆ Methane pools and field irrigation in countryside

Pump

- ◆ Max: immersion depth: 5m
- ◆ Max: liquid temperature: +40°C
- ◆ Liquid pH value: 4-10
- ◆ Liquid kinematic viscosity: 7×10⁻⁴ ~ 23×10⁻⁴ m²/s
- ◆ Max. liquid density: 1.2×10³ kg/m³

Motor

- ◆ Copper winding
- ◆ Built-in thermal protector
- ◆ Stainless steel welded shaft
- ◆ Insulation class: F
- ◆ Protection class: IPX8

Technical Table

Model	Power (kw)	Outlet Diameter (mm)	Voltage/ Frequency (V/Hz)	Max. Flow (l/min)	Max. Head (m)	G. W. (kg)	Dimensions (cm)
V2200DF	2.2	75	220/50	520	10	31.5	59.0×35.5×25.0

Materials Table

NO.	DESCRIPTION	NO.	DESCRIPTION
1	Bolt	30	Bearing
2	Washer	31	"O" ring
3	Handle	32	Bolt
4	Blot	33	Washer
5	Nut	34	Connection part
6	Protector	35	Mechanical seal
7	Screw	36	"O" ring
8	Washer	37	Oil chamber cover
9	Cable Presser	38	Screw
10	Screw	39	Oil seal
11	Cable	40	Out-let connector
12	Flange	41	"O" ring
13	Cable protector	42	Bolt
14	Float switch	43	Washer
15	Bolt	44	Connection nut
16	"O" ring	45	Rubber washer
17	Stretching washer	46	Impeller
18	Capacitor cover	47	Pump body
19	"O" ring	48	Fixed cutter
20	Capacitor	49	Line protector
21	"O" ring	50	Screw
22	Motor cover	51	Stretching washer
23	"O" ring	52	Washer
24	Thermal protector	53	Washer
25	Stator	54	Screw
26	Undulated washer	55	Word ring
27	Bearing	56	Rotation cutter
28	Rotor	57	Washer
29	Key	58	Screw

