

CQB Series Fluorine Plastic Magnetic Pumps



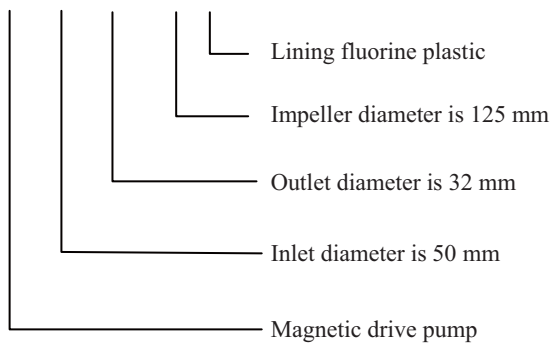
Product summarize

CQB series fluoroplastic magnetic-driving pumps, magnetic coupling dynamic seals, does not exist, so thoroughly eliminate the general shaft driving centrifugal pumps running, the shaft seal leakage phenomenon. Its flow components by fluorine plastic and high purity industrial ceramic, excellent corrosion resistance and sealing, therefore, is widely used in chemical industry, medicine, aluminum foil, acid, coating, non-ferrous metal industries and inflammable, explosive, toxic, and volatile organic solvent and precious liquids..

Operating temperature: -20°C~100°C

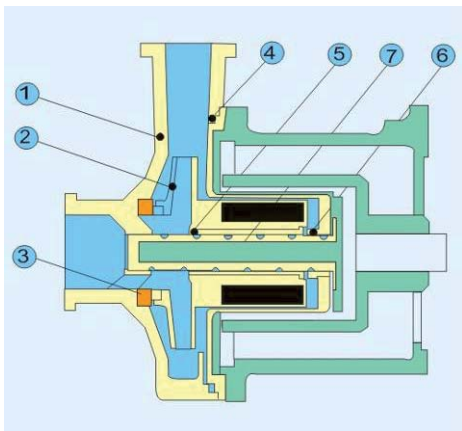
Model sense

CQB 50 - 32 /125 F



Structure and material

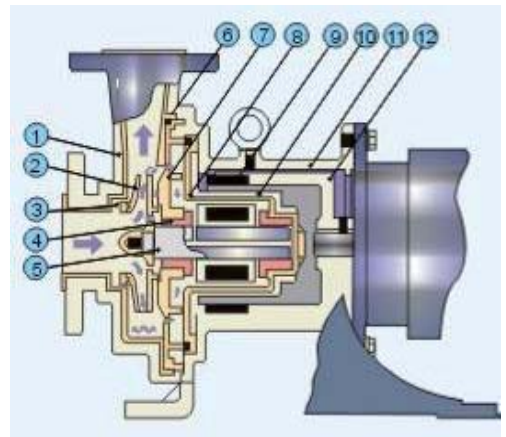
1. Pump body
2. Impeller
3. Oral ring
4. Gasket ring
5. Bearing Sleeve
6. Bearing
7. Spindle



CQB25-20-100F	CQB40-25-120F
CQB32-20-110F	CQB40-25-125F
CQB32-20-125F	CQB40-25-160F
CQB32-20-160F	CQB40-40-125F
CQB50-32-125F	CQB50-32-160F

Type I:

1. Pump body
2. Impeller
3. Oral ring
4. Bearing
5. Spindle
6. Gasket ring
7. Spindle bed
8. Isolation units
9. Magnet steel
10. Stainless steel cover
11. Link frame
12. Coupling

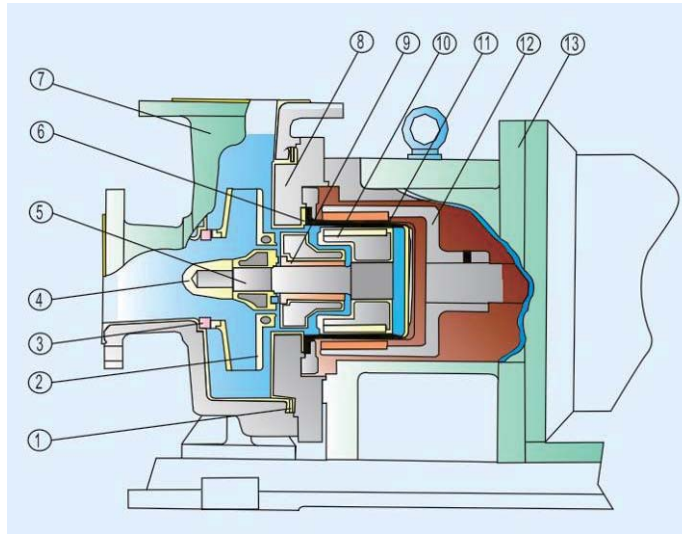


CQB40-25-200F	CQB65-50-125F
CQB50-32-200F	CQB65-50-150F
CQB65-50-160F	CQB65-50-180F

Type II:

CQB-F Fluorine Plastic Magnetic Pumps

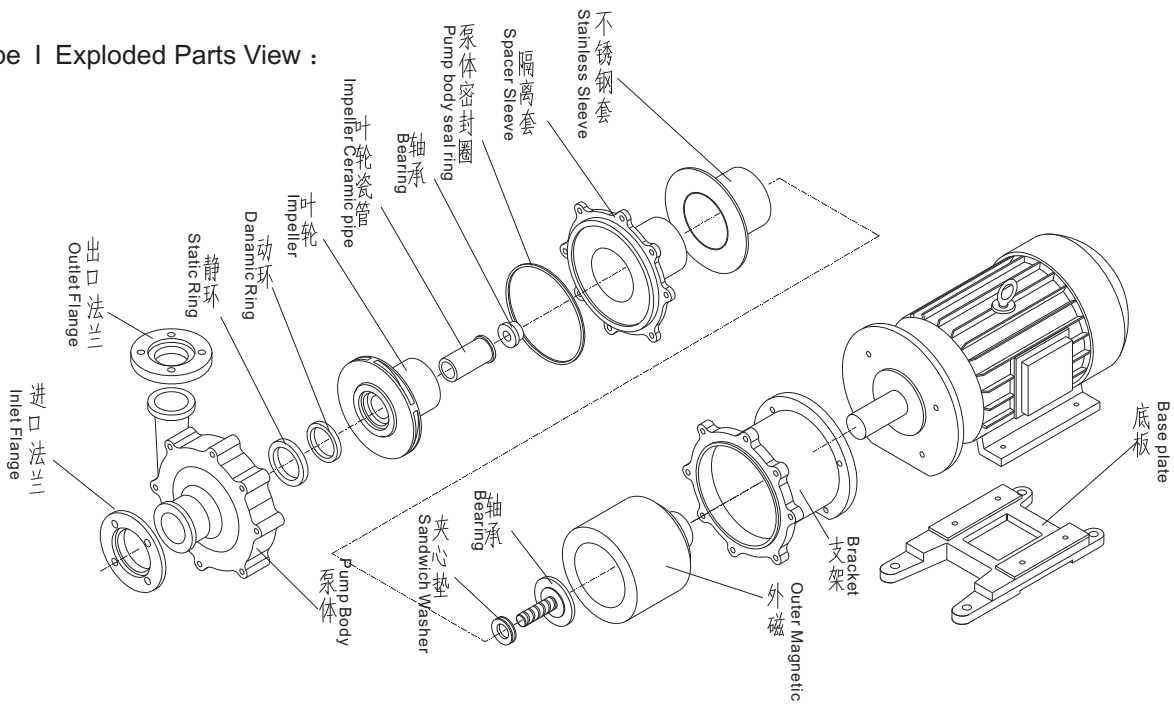
1. Pump body seal ring
2. Impeller
3. Oral Ring
4. Impeller Nut
5. Main Shaft
6. Spacer Sleeve Seal Ring
7. Pump Body
8. Pump cover
9. Bearing
10. Rotor
11. Spacer Sleeve Assembly
12. Outer Magnetic
13. Bracket



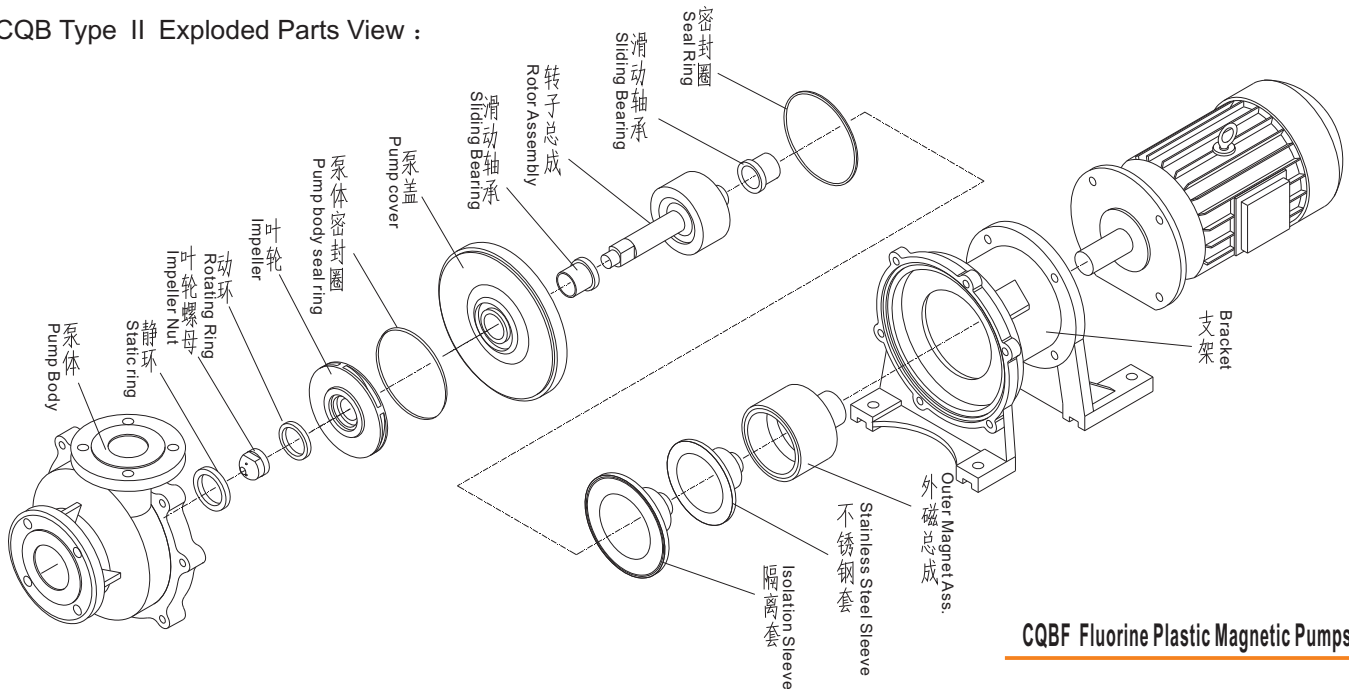
Type III

- CQB65-40-200F
- CQB80-50-200F
- CQB80-65-125F
- CQB80-65-160F
- CQB100-80-160F

CQB Type I Exploded Parts View :

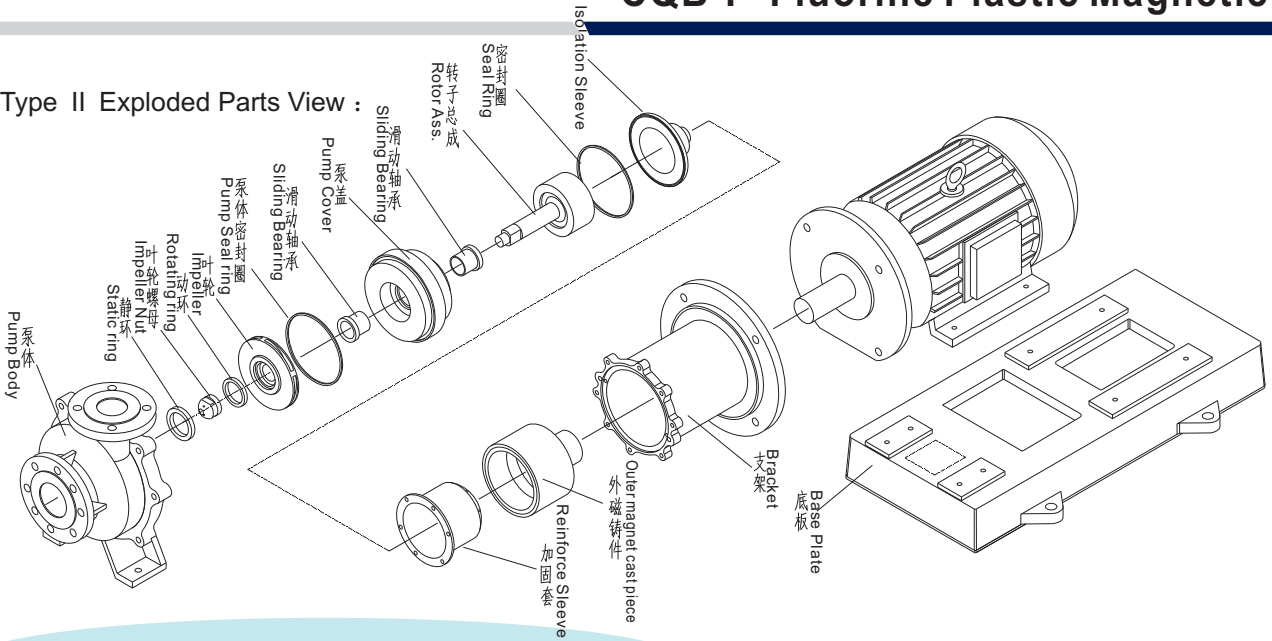


CQB Type II Exploded Parts View :

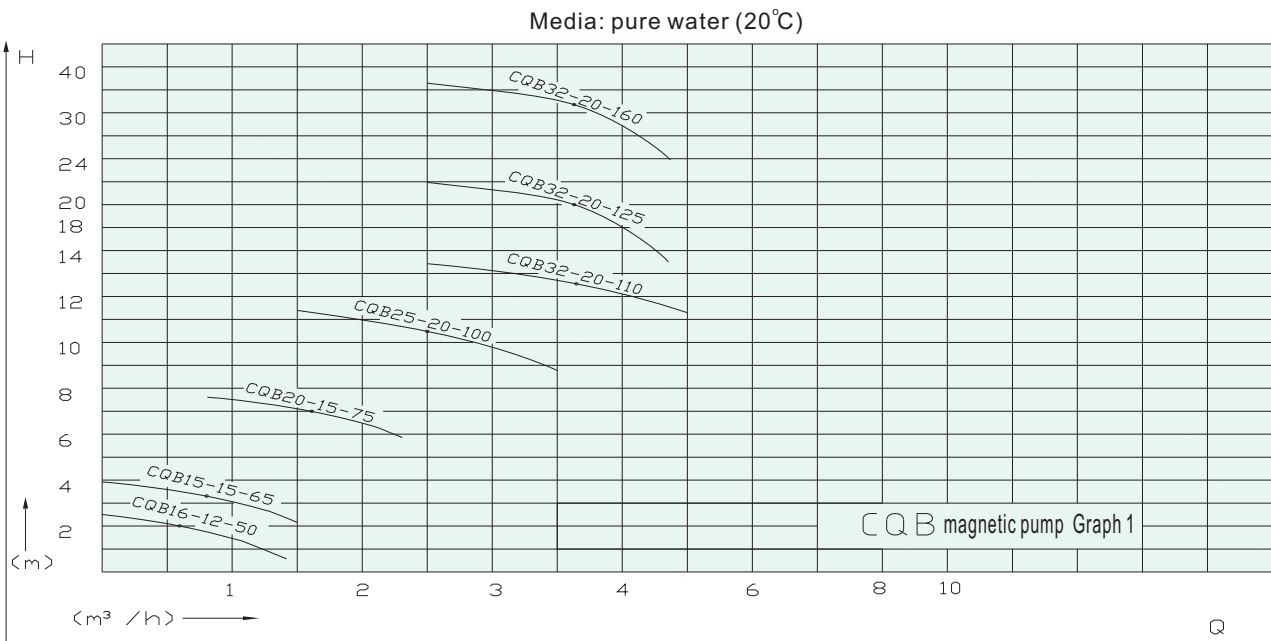
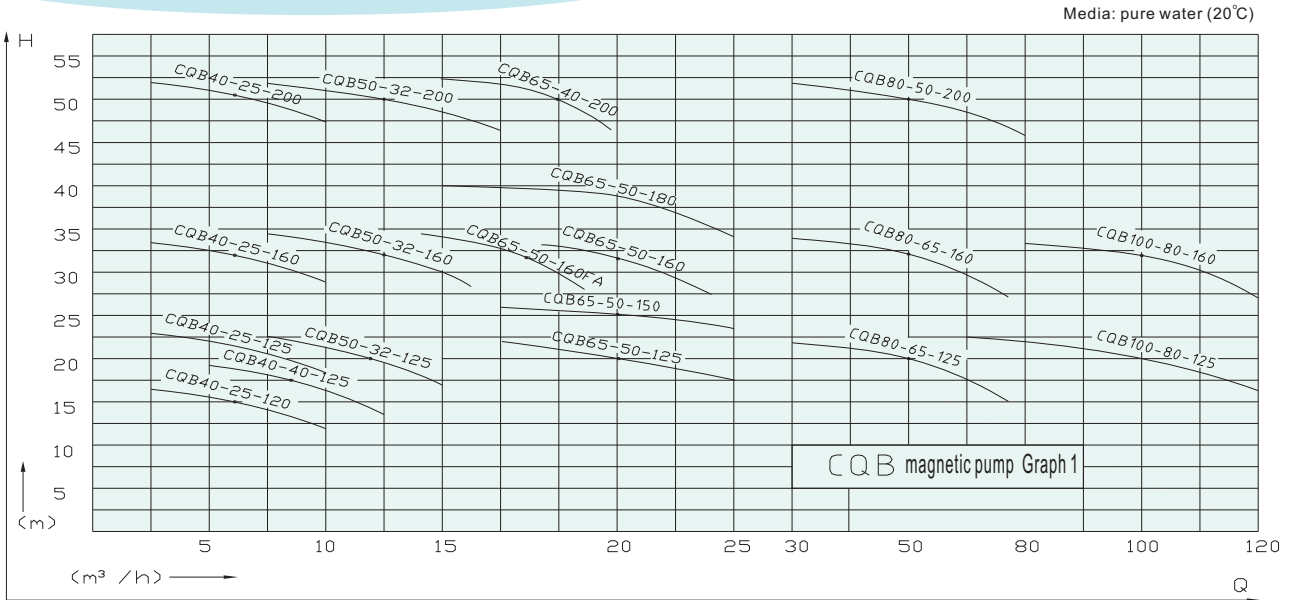


CQB-F Fluorine Plastic Magnetic Pumps

CQB Type II Exploded Parts View :



Curve of capacity n=2900r/min



CQB-F Fluorine Plastic Magnetic Pumps

Model and technical data

* Bolded words in the table means common type

序号	型号(Model)	转速(Rev)=2900r/min 介质密度(Medium density)=1000kg/m ³							
		流量 Flow (m ³ /h)	扬程 Pump head (m)	效率 η (%)	进口 Inlet (mm)	出口 Outlet (mm)	汽蚀余量 Npsh (m)	电机功率 Power (kw)	整机重量 Weight (kg)
1	CQB16-12-50F	0.5	2	10	ϕ 16	ϕ 12	9.0	0.025	5
		0.8	1.5						
2	CQB15-15-65F	0.8	3.5	17	ϕ 15	ϕ 15	6.0	0.18	7
		1	2.8						
3	CQB20-15-75F	1.6	7	21	ϕ 20	ϕ 15	6.0	0.18	8
		1.8	6						
4	CQB25-20-100F	1	10	26	ϕ 25	ϕ 20	6.0	0.37	12
		2.5	11						
5	CQB32-20-110F	4	13.5	35	ϕ 32	ϕ 20	6.0	0.55	18
		5.5	13						
6	CQB32-20-125F	2.5	21	37	ϕ 32	ϕ 20	6.0	0.75	20
		3.6	20						
7	CQB32-20-160F	2.5	33	38	ϕ 32	ϕ 20	5.0	1.5	50
		3.6	32						
8	CQB40-25-120F	4	15.5	42	ϕ 40	ϕ 25	5.0	0.75	35
		6.3	15						
		8	12						
9	CQB40-25-125F	4	22	41	ϕ 40	ϕ 25	4.5	1.1	54
		6.3	20						
		8	16						
10	CQB40-25-160F	4	33	36	ϕ 65	ϕ 25	5.0	2.2/3	55
		6.3	32						
		8	29						
11	CQB40-25-200F	4	51	25	ϕ 40	ϕ 40	3.7	1.1	40
		6.3	50						
		8	48						
12	CQB40-40-125F	4	19	42	ϕ 40	ϕ 40	3.7	1.1	40
		6.3	17.5						
		8	15						
13	CQB50-32-125F	7	22	42	ϕ 50	ϕ 32	3.5	1.5	45
		12.5	20						
		15	19						
14	CQB50-32-160F	7	33	40	ϕ 50	ϕ 32	3.5	4	80
		12.5	32						
		15	29						
15	CQB50-32-200F	7	52	32	ϕ 50	ϕ 32	3.5	7.5	150
		12.5	50						
		15	45						
16	CQB65-50-125F	15	22	35	ϕ 65	ϕ 50	4.0	4	100
		20	20						
		25	15						
17	CQB65-50-150F	15	27	38	ϕ 65	ϕ 50	4.0	4	100
		20	25						
		25	20						
18	CQB65-50-160F	15	33	40	ϕ 65	ϕ 50	4.0	5.5	120
		20	32						
		25	28						
19	CQB65-50-160FA	10	35	45	ϕ 65	ϕ 50	4.0	4	90
		17.5	32						
		19	25						
20	CQB65-50-180F	15	40	46	ϕ 65	ϕ 50	5.5	5.5	120
		20	38						
		25	32						
21	CQB65-40-200F	15	51	48	ϕ 65	ϕ 40	4.0	11	250
		20	50						
		25	45						
22	CQB80-65-125F	35	22	51	ϕ 80	ϕ 65	4.0	7.5	160
		50	20						
		60	15						

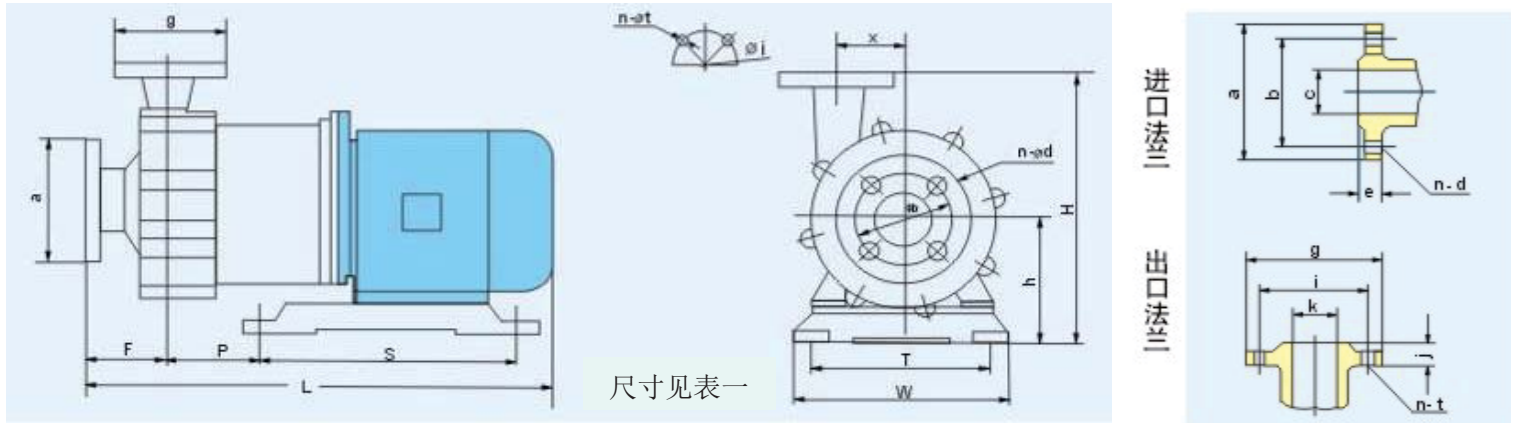
CQB-F Fluorine Plastic Magnetic Pumps

序号	型号(Model)	转速(Rev)=2900r/min 介质密度(Medium density)=1000kg/m ³							
		流量 Flow (m ³ /h)	扬程 Pump head (m)	效率 η (%)	进口 Inlet (mm)	出口 Outlet (mm)	汽蚀余量 Npsh (m)	电机功率 Power (kw)	整机重量 Weight (kg)
23	CQB80-65-160F	35	34	60	ϕ 80	ϕ 65	4.0	11	180
		50	32						
		60	28						
24	CQB80-50-200F	35	51	60	ϕ 80	ϕ 50	4.0	18.5	195
		50	50						
		60	45						
25	CQB100-80-125F	65	22	62	ϕ 100	ϕ 80	5.0	11	180
		100	20						
		120	18						
26	CQB100-80-160F	70	34	56	ϕ 100	ϕ 80	5.0	18.5	220
		100	32						
		120	28						

(Install size)

(Flange size)

Type I:



尺寸见表一

表一：

序号	系列型号 Model	外型安装尺寸 Outside and installing size									进口法兰尺寸 Inlet flange size				出口法兰尺寸 Exit flange size			
		L	S	P	F	W	T	H	h	x	c	a	b	n- ϕ d	k	g	i	n- ϕ t
1	CQB16-12-50F	200	56	80	30	90	71	100	45	22	16	24	/	/	12	17	/	/
2	CQB15-15-65F	290	71	115	40	112	90	125	56	25	15	20	/	/	15	20	/	/
3	CQB20-15-75F	316	71	120	55	113	90	138	56	38	20	27	/	/	15	20	/	/
4	CQB25-20-100F	360	80	150	60	125	100	165	63	49	25	90	65	4- ϕ 11	20	90	65	4- ϕ 11
5	CQB32-20-110F	430	200	125	65	148	115	215	105	60	32	120	90	4- ϕ 13	20	90	65	4- ϕ 11
6	CQB32-20-125F	435	265	65	50	180	150	244	110	67	32	140	90	4-M12	20	100	75	4- ϕ 11
7	CQB40-25-120F	435	265	65	50	180	150	244	110	67	40	140	100	4-M12	25	100	75	4- ϕ 11
8	CQB40-25-125F	440	265	75	50	180	150	244	110	67	40	140	90	4-M12	25	100	75	4- ϕ 11
9	CQB40-40-125F	510	265	90	100	180	150	260	175	/	40	130	100	4- ϕ 13	40	130	100	4- ϕ 13
10	CQB50-32-125F	510	265	100	85	180	150	270	125	76	50	130	100	4- ϕ 13	32	120	90	4- ϕ 11

CQB-F Fluorine Plastic Magnetic Pumps

Type II:

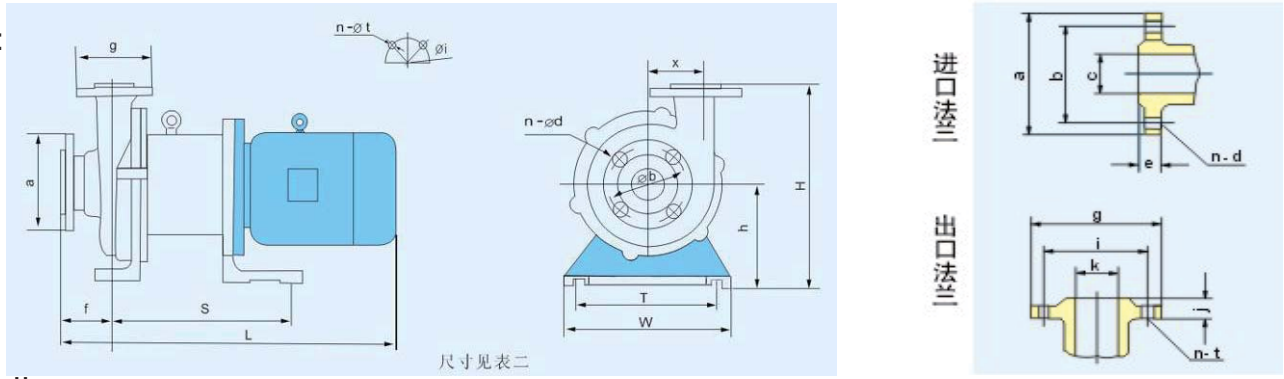


Table II :

序号	系列型号 Model	外型安装尺寸 Outside and installing size								进口法兰尺寸 Inlet flange size				出口法兰尺寸 Exit flange size			
		L	S	f	W	T	H	h	x	c	a	b	n-φd	k	g	i	n-φt
1	CQB32-20-160F	578	225	85	225	180	330	160	/	32	140	100	4-φ13.5	20	100	75	4-φ13.5
2	CQB40-25-160F	625	225	85	220	220	330	170	/	40	150	110	4-φ13.5	25	115	85	4-φ13.5
3	CQB40-25-200F	745	350	97	290	240	390	190	/	40	150	110	4-φ17.5	25	115	85	4-φ13.5
4	CQB50-32-160F	625	225	85	260	220	330	170	/	50	165	125	4-φ17.5	32	140	100	4-φ17.5
5	CQB50-32-200F	710	350	95	290	240	395	190	112	50	165	125	4-φ17.5	32	140	100	4-φ17.5
6	CQB65-50-125F	625	225	85	260	220	330	170	/	65	185	145	4-φ17.5	50	165	125	4-φ17.5
7	CQB65-50-150F	670	350	95	290	240	395	190	102	65	185	145	4-φ17.5	50	165	125	4-φ17.5
8	CQB65-50-160F	670	350	95	290	240	395	190	102	65	185	145	4-φ17.5	50	165	125	4-φ17.5
9	CQB65-50-180F	710	350	95	290	240	395	190	102	65	185	145	4-φ17.5	50	165	125	4-φ17.5

Type III:

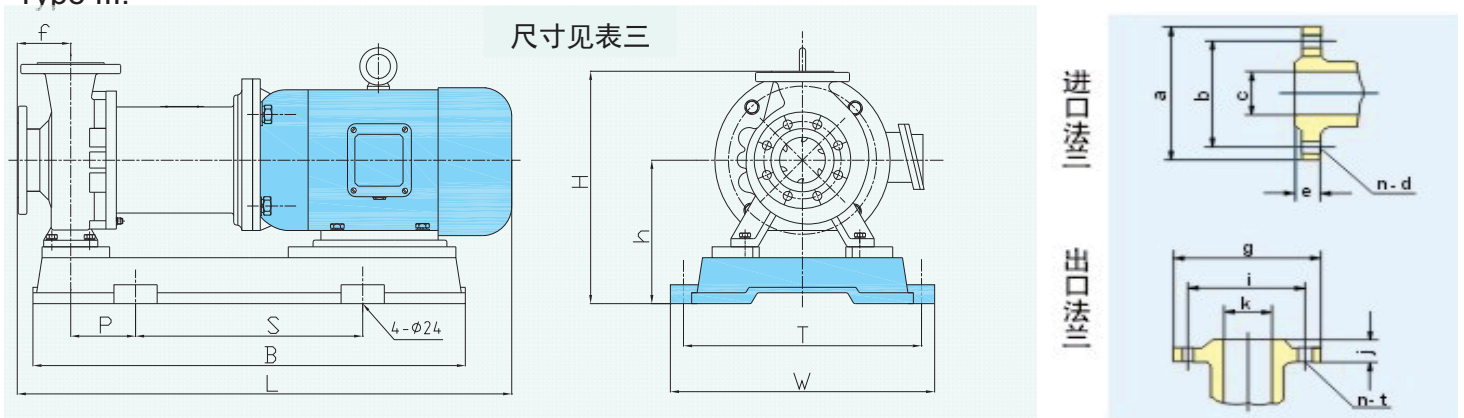


Table III:

序号	系列型号 Model	外型安装尺寸 Outside and installing size									进口法兰尺寸 Inlet flange size				出口法兰尺寸 Exit flange size			
		L	B	S	P	W	T	H	h	f	c	a	b	n-φd	k	g	i	n-φt
1	CQB65-40-200F	935	800	420	120	490	440	440	260	99	65	185	160	4-φ17.5	40	150	145	4-φ17.5
2	CQB80-65-125F	915	800	420	120	490	440	460	260	99	80	200	160	8-φ17.5	65	185	145	4-φ17.5
3	CQB80-65-160F	936	800	420	120	490	440	460	260	99	80	200	160	8-φ17.5	65	185	145	4-φ17.5
4	CQB80-50-200F	1340	1270	840	215	490	440	460	260	99	80	200	160	8-φ17.5	50	185	125	4-φ17.5
5	CQB100-80-160F	1295	1250	740	108	490	440	480	260	100	100	220	180	8-M18	80	200	160	8-M18